

8

7

6

5

4

3

2

1

REVISIONS				
ZONE	REV.	DESCRIPTION	DATE	APPROVED

D

D

C

C

B

B

A

A

19.72

15.67

14.27

17.00

19.00

○ OPERATE

○ SHUTDOWN

.5 MICRON FILTER

FLOW CONTROL

HINGES - FRONT PANEL OPENS

FLOW RESTRICTOR,
THERMOCOUPLES & RH
SENSORS CAN BE REPLACED
BY OPENING THE FRONT PANEL

PROPRIETARY AND CONFIDENTIAL
 THE INFORMATION CONTAINED IN THIS
 DRAWING IS THE SOLE PROPERTY OF
 POWER & ENERGY. ANY
 REPRODUCTION IN PART OR AS A WHOLE
 WITHOUT THE WRITTEN PERMISSION OF
 POWER & ENERGY IS
 PROHIBITED.

UNLESS OTHERWISE SPECIFIED:

DIMENSIONS ARE IN INCHES
 TOLERANCES:
 FRACTIONAL ± 1/64
 ANGULAR: ± 1°
 .XX ± .01
 .XXX ± .005
 .XXXX ± .0005

INTERPRET GEOMETRIC TOLERANCING PER:

MATERIAL SEE NOTES

FINISH SEE NOTES

DATE NAME

DESIGNED 2-27-02 WD

CHECKED

ENG APPR.

MFG APPR.

Q.A.

POWER & ENERGY

54 STEAM WHISTLE DRIVE
 IVYLAND, PA 18974
 T - 215-942-4600
 F - 215-942-9300
 www.purehydrogen.com



TITLE:
7000 SERIES CELL ASSEMBLY
15 MEMBRANE

SIZE B	DWG. NO. PE8220 - FRONT	REV -
------------------	----------------------------	----------

SCALE: 1:3	WEIGHT:	SHEET 1 OF 1
------------	---------	--------------

NEXT ASSY

USED ON

APPLICATION

8

7

6

5

4

3

2

1

8

7

6

5

4

3

2

1

REVISIONS				
ZONE	REV.	DESCRIPTION	DATE	APPROVED

D

D

SPLIT COVER

4.11

1.34

14.27

C

C

B

B

.64

28.09

.47

A

A

PROPRIETARY AND CONFIDENTIAL
 THE INFORMATION CONTAINED IN THIS DRAWING IS THE SOLE PROPERTY OF POWER & ENERGY. ANY REPRODUCTION IN PART OR AS A WHOLE WITHOUT THE WRITTEN PERMISSION OF POWER & ENERGY IS PROHIBITED.

UNLESS OTHERWISE SPECIFIED:

DIMENSIONS ARE IN INCHES
 TOLERANCES:
 FRACTIONAL ± 1/64
 ANGULAR: ± 1°
 .XX ± .01
 .XXX ± .005
 .XXXX ± .0005

INTERPRET GEOMETRIC TOLERANCING PER:

MATERIAL SEE NOTES

FINISH SEE NOTES

DATE NAME

DESIGNED 2-27-02 WD

CHECKED

ENG APPR.

MFG APPR.

Q.A.

POWER & ENERGY

54 STEAM WHISTLE DRIVE
 IVYLAND, PA 18974
 T - 215-942-4600
 F - 215-942-9300
 www.purehydrogen.com



TITLE:
7000 SERIES CELL ASSEMBLY
15 MEMBRANE

SIZE **B** DWG. NO. PE8220 SIDE REV -

SCALE: 1:3 WEIGHT: SHEET 1 OF 1

APPLICATION	USED ON	DATE	NAME
NEXT ASSY			

8

7

6

5

4

3

2

1

8

7

6

5

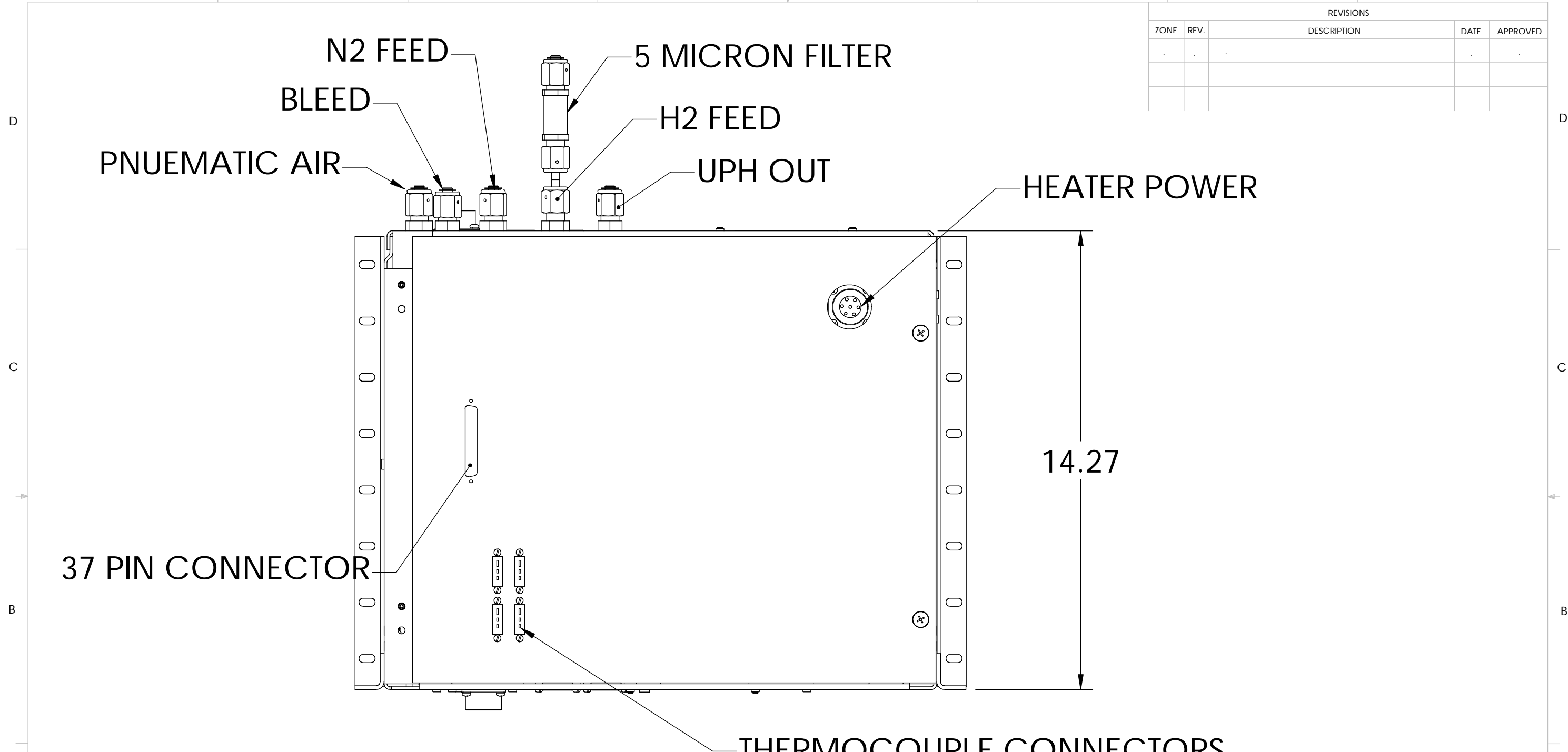
4

3

2

1

REVISIONS				
ZONE	REV.	DESCRIPTION	DATE	APPROVED



BACK VIEW

PROPRIETARY AND CONFIDENTIAL
 THE INFORMATION CONTAINED IN THIS DRAWING IS THE SOLE PROPERTY OF POWER & ENERGY. ANY REPRODUCTION IN PART OR AS A WHOLE WITHOUT THE WRITTEN PERMISSION OF POWER & ENERGY IS PROHIBITED.

UNLESS OTHERWISE SPECIFIED:		DATE	NAME
DIMENSIONS ARE IN INCHES TOLERANCES: FRACTIONAL: ± 1/64 ANGULAR: ± 1° .XX ± .01 .XXX ± .005 .XXXX ± .0005		DESIGNED 2-27-02	WD
INTERPRET GEOMETRIC TOLERANCING PER:		CHECKED	
MATERIAL SEE NOTES		ENG APPR.	
FINISH SEE NOTES		MFG APPR.	
NEXT ASSY	USED ON	Q.A.	
APPLICATION		POWER & ENERGY 54 STEAM WHISTLE DRIVE IVYLAND, PA 18974 T - 215-942-4600 F - 215-942-9300 www.purehydrogen.com	
POWER & ENERGY TITLE: 7000 SERIES CELL ASSEMBLY 15 MEMBRANE			
SIZE B	DWG. NO. PE8220 - BACK	REV -	
SCALE: 1:3	WEIGHT:	SHEET 1 OF 1	

8

7

6

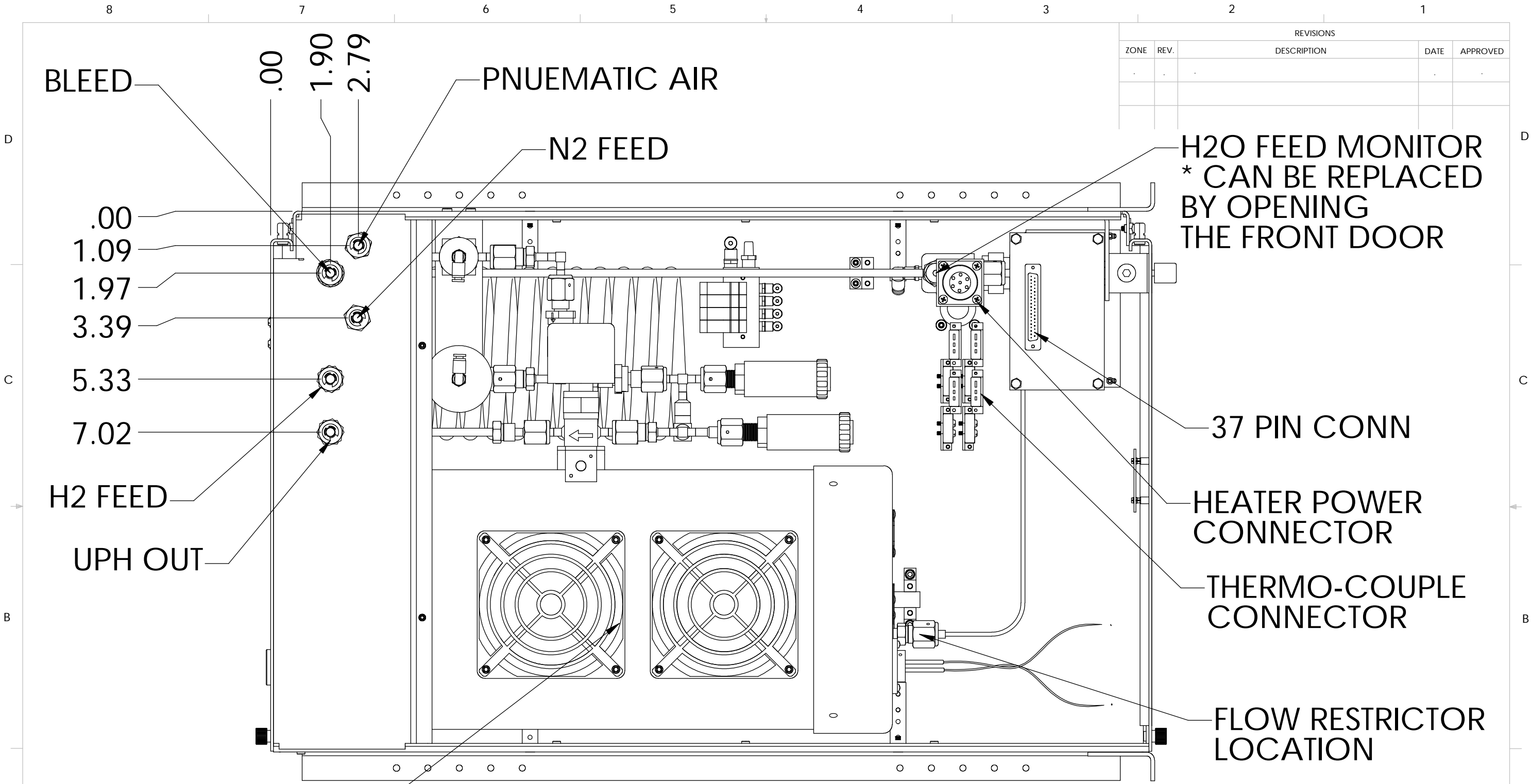
5

4

3

2

1



REVISIONS				
ZONE	REV.	DESCRIPTION	DATE	APPROVED

TOP VIEW

PROPRIETARY AND CONFIDENTIAL
 THE INFORMATION CONTAINED IN THIS DRAWING IS THE SOLE PROPERTY OF POWER & ENERGY. ANY REPRODUCTION IN PART OR AS A WHOLE WITHOUT THE WRITTEN PERMISSION OF POWER & ENERGY IS PROHIBITED.

UNLESS OTHERWISE SPECIFIED:		DATE	NAME
DIMENSIONS ARE IN INCHES TOLERANCES: ANGULAR: ± 3° .X ± .5 .XX ± .05 .XXX ± .005		DESIGNED 2-27-02	WD
INTERPRET GEOMETRIC TOLERANCING PER:		CHECKED	
MATERIAL SEE NOTES		ENG APPR.	
FINISH SEE NOTES		MFG APPR.	
NEXT ASSY	USED ON	Q.A.	
APPLICATION		POWER & ENERGY 54 STEAM WHISTLE DRIVE IVYLAND, PA 18974 T - 215-942-4600 F - 215-942-9300 www.purehydrogen.com	

POWER & ENERGY

TITLE:
7000 SERIES CELL ASSEMBLY
15 MEMBRANE

SIZE **B** DWG. NO. PE8220 - TOP REV -

SCALE: 1:3 WEIGHT: SHEET 1 OF 1

8

7

6

5

4

3

2

1

REVISIONS				
ZONE	REV.	DESCRIPTION	DATE	APPROVED

H2 SENSOR (H_s) MOUNTED AT TOP OF CHASSIS NEAR EXHAUST

HEATER POWER CONNECTOR 3 POSSIBLE LOCATIONS

TC3

UPH OUT

H2 FEED IN

UPH PRESSURE

UPH N.C. VALVE V5

N2 PURGE IN

(4x) BAND HEATERS

BLEED OUT

H2 OR N2 PRESSURE

AIR 80 PSI

H2 FEED N.C. VALVE V1

THERMOCOUPLE CONNECTIONS 3 POSSIBLE LOCATIONS

THERMOCOUPLES - TC1 & TC2 CELL TEMP CONTROL

N2 PURGE N.O. VALVE V2

FLOW RESTRICTOR

CHECK VALVES

ELECTRONIC CONNECTIONS 3 POSSIBLE LOCATIONS

HEAT EXCHANGER, TUBE IN TUBE: UPH TUBE IS IN CENTER TUBE, H2 FEED OR N2 PURGE IS IN OUTSIDE TUBE

HEATER WIRE SIMILAR FOR FRONT

4 CONTROL VALVES

BALL BLEED FLOW CONTROL

H2O FEED MONITOR

BY-PASS N.O. VALVE V4

PROPRIETARY AND CONFIDENTIAL
 THE INFORMATION CONTAINED IN THIS DRAWING IS THE SOLE PROPERTY OF POWER & ENERGY. ANY REPRODUCTION IN PART OR AS A WHOLE WITHOUT THE WRITTEN PERMISSION OF POWER & ENERGY IS PROHIBITED.

UNLESS OTHERWISE SPECIFIED:

DIMENSIONS ARE IN INCHES
 TOLERANCES:
 ANGULAR: ± 3°
 .X ± .5
 .XX ± .05
 .XXX ± .005

INTERPRET GEOMETRIC TOLERANCING PER:

MATERIAL SEE NOTES

FINISH SEE NOTES

DATE NAME

DESIGNED 2-27-02 WD

CHECKED

ENG APPR.

MFG APPR.

Q.A.

POWER & ENERGY

54 STEAM WHISTLE DRIVE
 IVYLAND, PA 18974
 T - 215-942-4600
 F - 215-942-9300
 www.purehydrogen.com



TITLE:
7000 SERIES CELL ASSEMBLY
15 MEMBRANE

SIZE **B** DWG. NO. PE8220-ISO REV -

SCALE: 1:4 WEIGHT: SHEET 1 OF 1

8

7

6

5

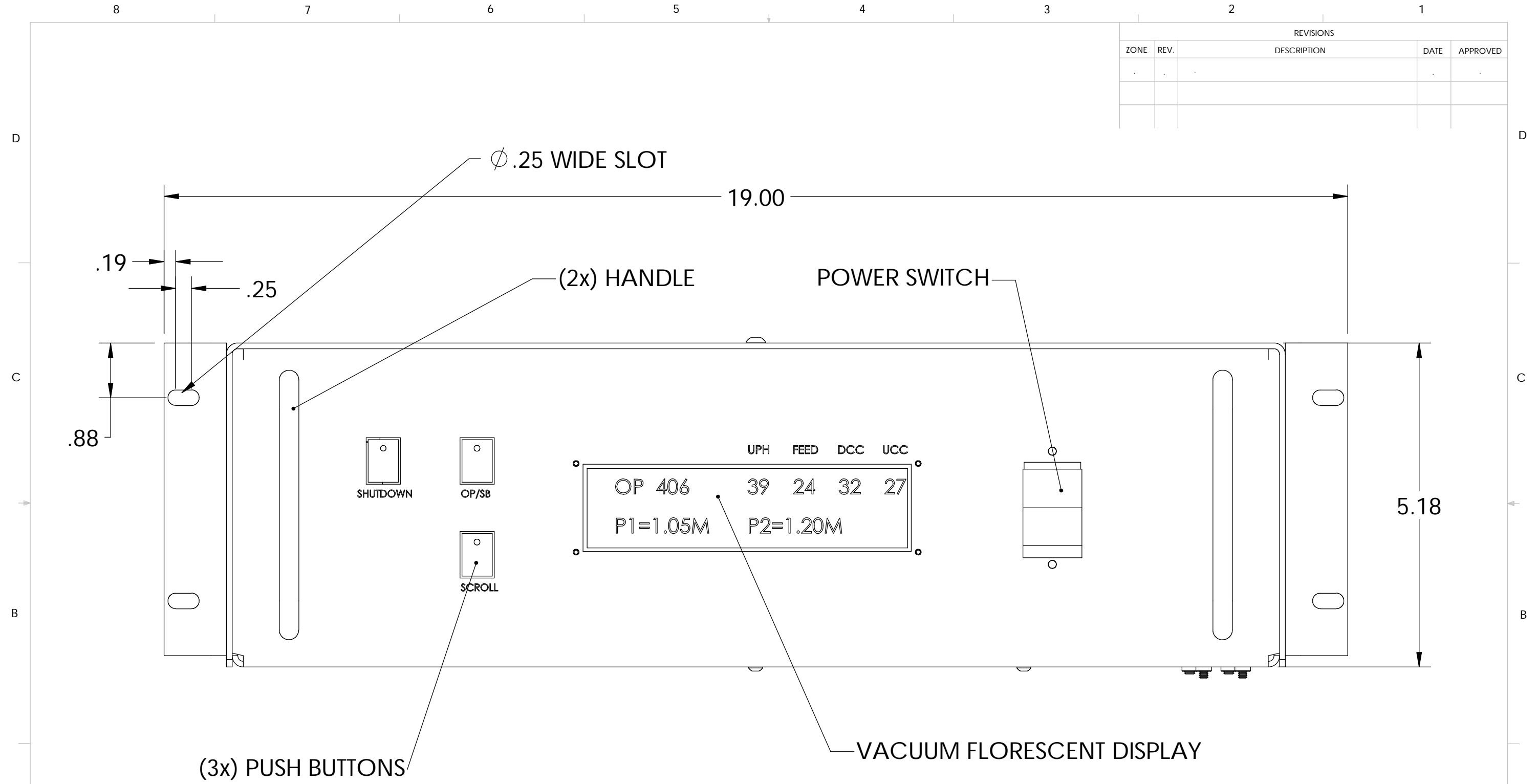
4

3

2

1

REVISIONS				
ZONE	REV.	DESCRIPTION	DATE	APPROVED



PROPRIETARY AND CONFIDENTIAL
 THE INFORMATION CONTAINED IN THIS DRAWING IS THE SOLE PROPERTY OF POWER & ENERGY. ANY REPRODUCTION IN PART OR AS A WHOLE WITHOUT THE WRITTEN PERMISSION OF POWER & ENERGY IS PROHIBITED.

UNLESS OTHERWISE SPECIFIED:		DATE	NAME
DIMENSIONS ARE IN INCHES TOLERANCES: ANGULAR: ± 3° .X ± .5 .XX ± .05 .XXX ± .005		DESIGNED 3-27-02	WD
INTERPRET GEOMETRIC TOLERANCING PER:		CHECKED	
MATERIAL SEE NOTES		ENG APPR.	
FINISH SEE NOTES		MFG APPR.	
NEXT ASSY	USED ON	Q.A.	
APPLICATION		POWER & ENERGY 54 STEAM WHISTLE DRIVE IVYLAND, PA 18974 T - 215-942-4600 F - 215-942-9300 www.purehydrogen.com	

POWER & ENERGY

TITLE: **ELECTRICAL ENCLOSURE**

SIZE B	DWG. NO. P120 - FRONT	REV -
SCALE: 1:1.5	WEIGHT:	SHEET 1 OF 1

8

7

6

5

4

3

2

1

REVISIONS				
ZONE	REV.	DESCRIPTION	DATE	APPROVED

D

D

1.81

12.50

.64

(2x) HANDLE

C

C

5.18

B

B

A

A

PROPRIETARY AND CONFIDENTIAL
 THE INFORMATION CONTAINED IN THIS DRAWING IS THE SOLE PROPERTY OF POWER & ENERGY. ANY REPRODUCTION IN PART OR AS A WHOLE WITHOUT THE WRITTEN PERMISSION OF POWER & ENERGY IS PROHIBITED.

UNLESS OTHERWISE SPECIFIED:

DIMENSIONS ARE IN INCHES
 TOLERANCES:
 ANGULAR: ± 3°
 .X ± .5
 .XX ± .05
 .XXX ± .005

INTERPRET GEOMETRIC TOLERANCING PER:

MATERIAL SEE NOTES

FINISH SEE NOTES

DATE NAME

DESIGNED 3-27-02 WD

CHECKED

ENG APPR.

MFG APPR.

Q.A.

POWER & ENERGY

54 STEAM WHISTLE DRIVE
 IVYLAND, PA 18974
 T - 215-942-4600
 F - 215-942-9300
 www.purehydrogen.com



TITLE:
ELECTRICAL ENCLOSURE

SIZE B	DWG. NO. P120 - SIDE	REV -
------------------	-------------------------	----------

SCALE: 1:1.5	WEIGHT:	SHEET 1 OF 1
--------------	---------	--------------

APPLICATION	USED ON	DATE	NAME
NEXT ASSY			

8

7

6

5

4

3

2

1

8

7

6

5

4

3

2

1

REVISIONS				
ZONE	REV.	DESCRIPTION	DATE	APPROVED

D

D

POWER CORD STRAIN RELIEF

HEATER POWER

PROGRAMMING PORT

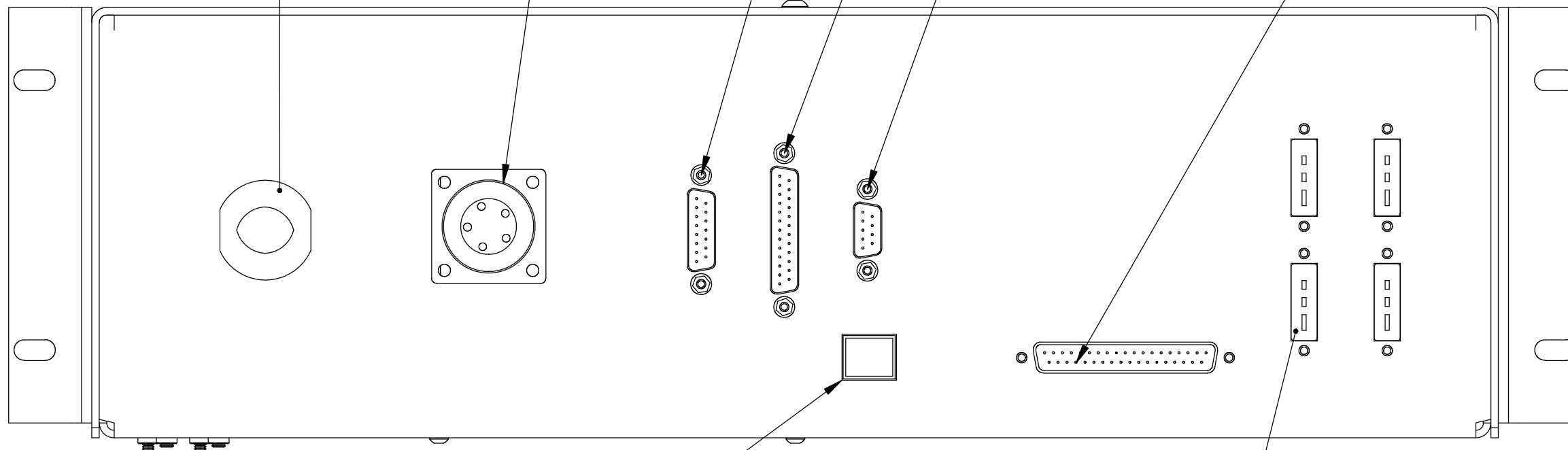
ALARM RELAY/USER

RS232 SERIAL PORT

SENSORS & VALVES

C

C



B

B

(4x) THERMOCOUPLE CONNECTIONS

A

A

PROPRIETARY AND CONFIDENTIAL
 THE INFORMATION CONTAINED IN THIS DRAWING IS THE SOLE PROPERTY OF POWER & ENERGY. ANY REPRODUCTION IN PART OR AS A WHOLE WITHOUT THE WRITTEN PERMISSION OF POWER & ENERGY IS PROHIBITED.

UNLESS OTHERWISE SPECIFIED: DIMENSIONS ARE IN INCHES TOLERANCES: ANGULAR: ± 3° .X ± .5 .XX ± .05 .XXX ± .005	DESIGNED	DATE	NAME	
	CHECKED	3-27-02	WD	
	ENG APPR.			
	MFG APPR.			
INTERPRET GEOMETRIC TOLERANCING PER:				TITLE:
MATERIAL	SEE NOTES			ELECTRICAL ENCLOSURE
FINISH	SEE NOTES			Q.A.
				POWER & ENERGY 54 STEAM WHISTLE DRIVE IVYLAND, PA 18974 T - 215-942-4600 F - 215-942-9300 www.purehydrogen.com
NEXT ASSY	USED ON			SIZE B DWG. NO. P120 - BACK REV - SCALE: 1:1.5 WEIGHT: SHEET 1 OF 1
APPLICATION				

8

7

6

5

4

3

2

1